



MSL 4.0

Scissors Lift

Parts Breakdown

ET082801-en



Lifting Technology



© MAHA Maschinenbau Haldenwang GmbH & Co. KG

Legal notice based on ISO 16016:

The reproduction, distribution and utilization of this document as well as the communication of its contents to others without explicit authorization is prohibited. Offenders will be held liable for the payment of damages. All rights reserved in the event of the grant of a patent, utility model or design.

The contents of this edition have been checked with great care. However, errors cannot be fully excluded. Subject to technical change without notice.

Document

Document №: ET082801-en
Approval Date: 11.02.2011

Manufacturer

MAHA Maschinenbau Haldenwang GmbH & Co. KG
Hoyen 20
87490 Haldenwang
Germany

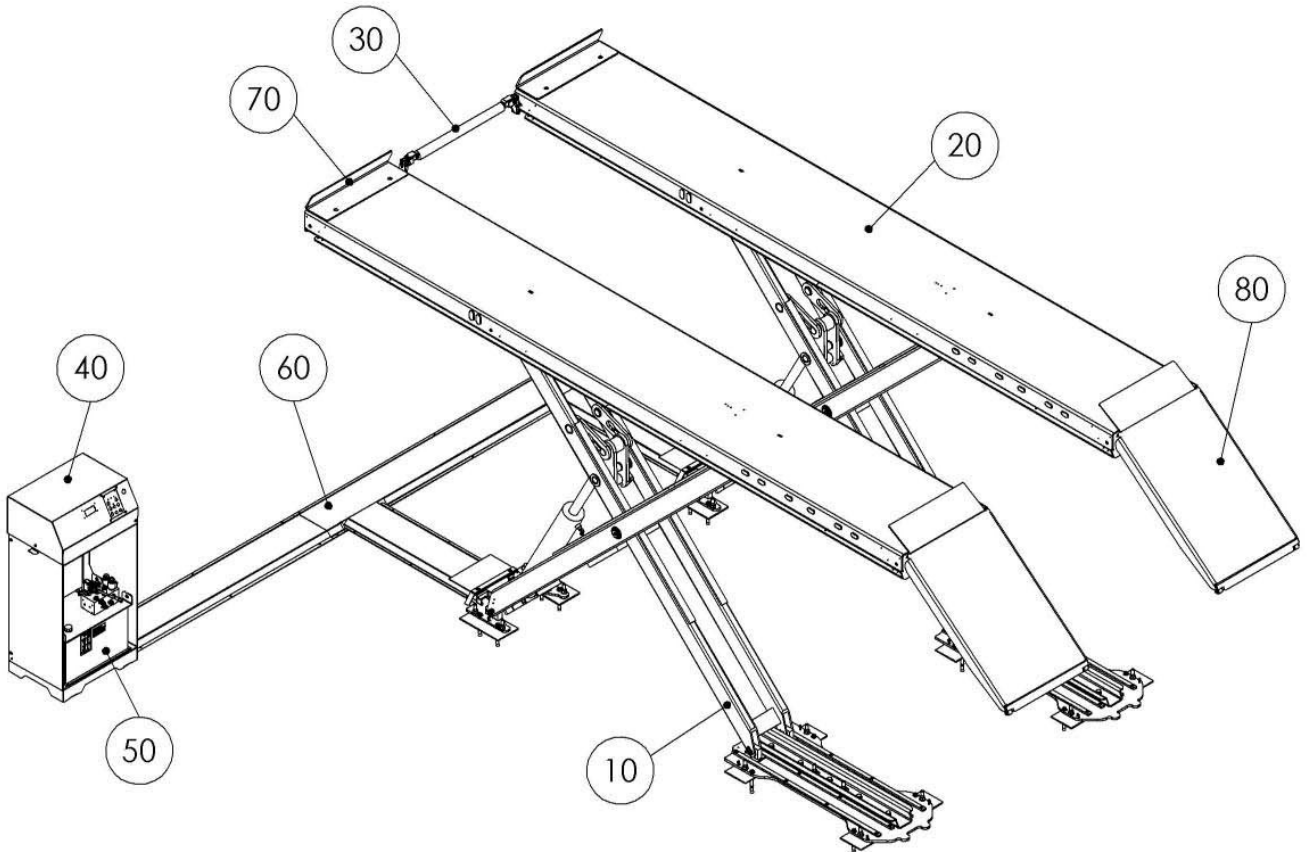
Phone: +49 (0) 8374 585 0
Fax: +49 (0) 8374 585 590
Fax Parts: +49 (0) 8374 585 565
Internet: <http://www.maha.de>
E-Mail: maha@maha.de
Hotline: +49 (0) 180 56242 60 for Brake Testers and Test Lanes
+49 (0) 180 56242 80 for Automotive Lifts
+49 (0) 180 56242 90 for Dynamometers and Emission Testers

Service

AutomoTec GmbH
Maybachstraße 8
87437 Kempten
Germany
Phone: +49 (0) 180 56242 50
Fax: +49 (0) 180 56242 55
Internet: <http://www.automo-tec.com>
E-Mail: service@automo-tec.com

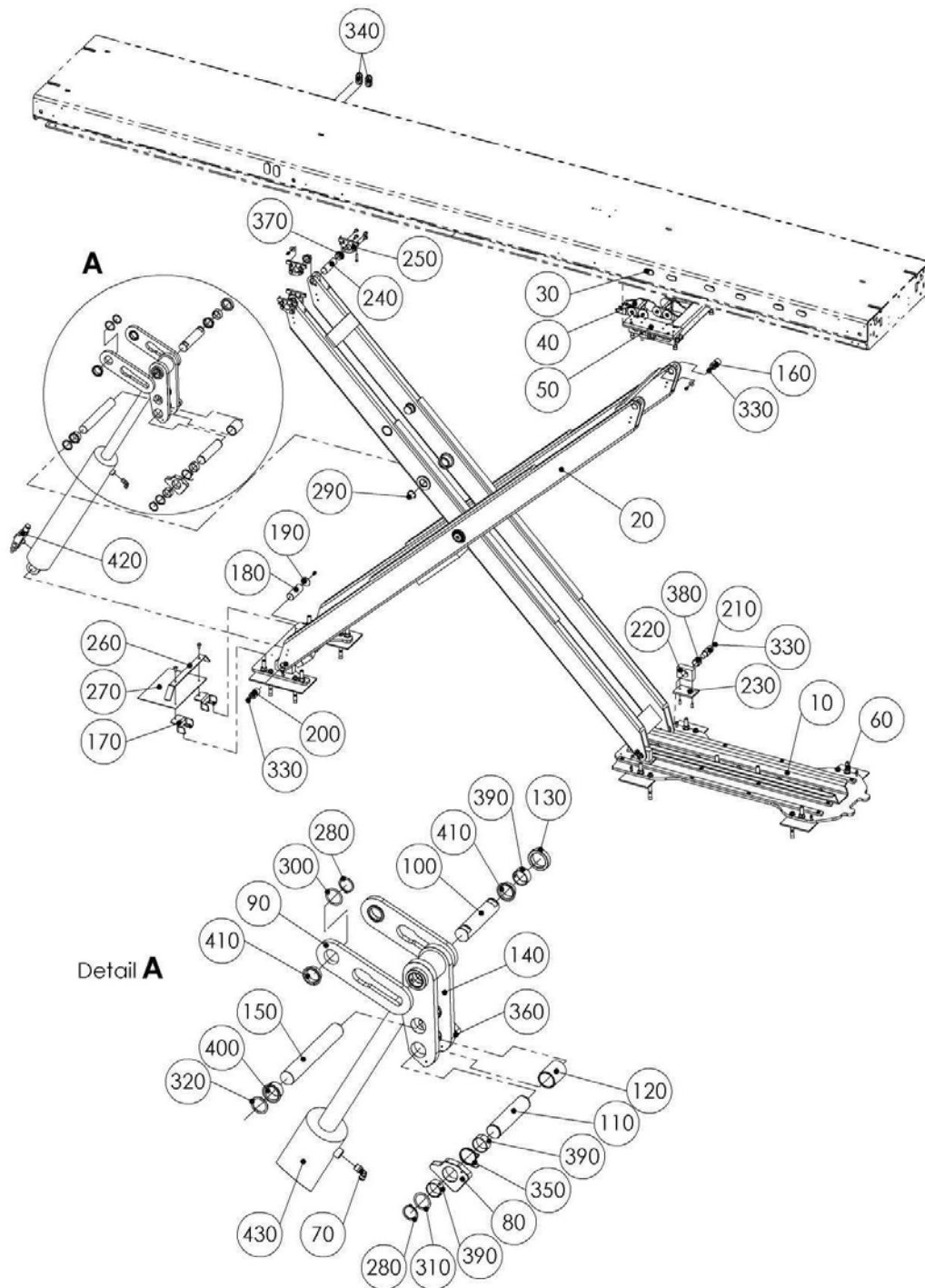
Contents

MSL 4.0	4
1 Substructure	6
1.1 Scissors	8
1.2 Lock	9
1.3 Installation Material	10
1.4 2/2 Directional Control Valve	11
2 Runways	12
2.1 Runways (Standard and with PMS)	12
2.2 Runways (with Wheel-Free Jack)	13
2.3 Runways (with Wheel-Free Jack and PMS)	14
2.4 Runways (ATL)	15
2.5 Wheel Support	16
2.6 Wheel-Free Jack	17
2.6.1 Substructure	18
2.6.2 Upper Part	20
2.7 Hydraulic System (for Wheel-Free Jack)	21
3 Suboil Power Unit	22
3.1 Valve Block	24
4 Cross Member	25
5 Accessories	26
5.1 Compensating Plates	26
5.1.1 Compensating Plates	27
5.2 Runway Accessories	29
5.2.1 Roll-off Protection	30
5.2.2 Roll-off Protection	31
5.2.3 Approach Ramp, 1300mm	32
5.2.4 Approach Ramp, 1175mm	33
5.3 Slide Plate	34
5.4 Floor Cover	35
5.4.1 Pneumatic Components	36
5.5 Hydraulic / Pneumatic System	38
6 Electrical Equipment	41
6.1 Switch Plate	46
6.2 Branch Box	49
7 Anchors	51



Item No.	Spare Part	Description	Tooltip	Article Number
10	Substructure		Section 1	030080 01078 0
20	Runways		Section 2	
30	Cross Member	at PMS	Section 4	03 08 22451
40	Control Desk			030080 01190 0
50	Suboil Power Unit		Section 3	030080 00493 0
60	Cable Cover	Surface Mounted		030080 00856 0
70	Roll-off Protection		Section 5.2	030080 01089 0
80	Approach Ramp		Section 5.2	030080 00611 0

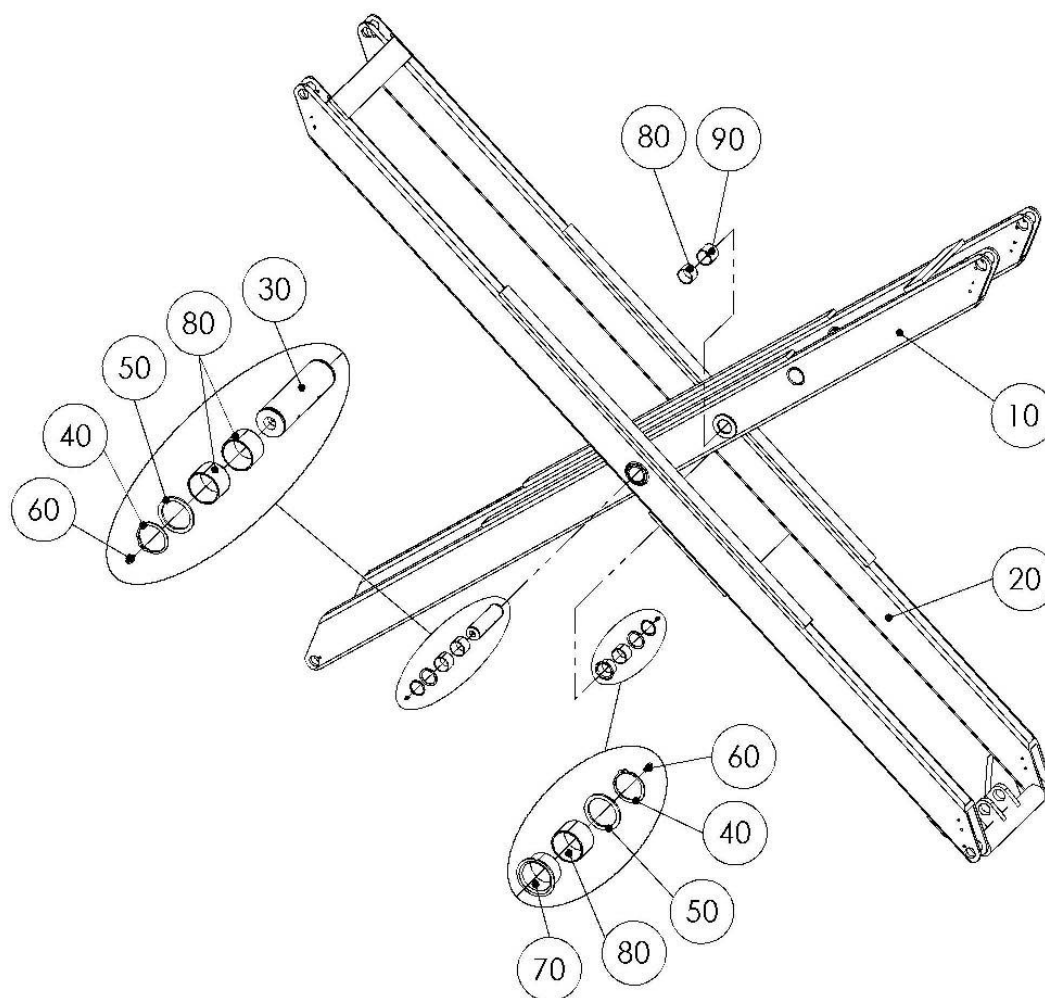
1 Substructure



Item No.	Spare Part	Description	Tooltip	Article Number
10	Base Plate			030080 00603 0
20	Scissors		Section 1.1	030080 00919 0
30	Lock		Section 1.2	030080 00517 0
40	Cable Guide Holder			030080 00809 0
50	Latch			030082 00018 0

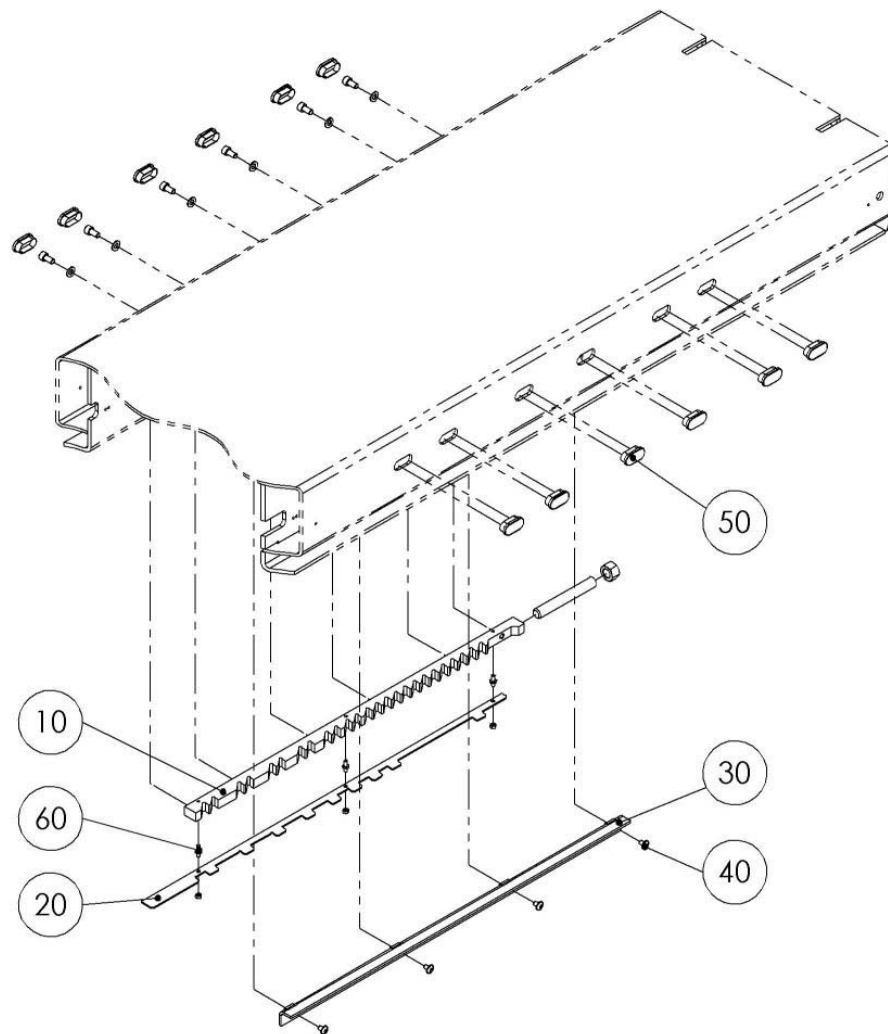
Item No.	Spare Part	Description	Tooltip	Article Number
60	Installation Material		Section 1.3	030080 00498 0
70	Installation Material			030080 00893 0
80	Slider Block	20x75x100		020080 01208 0
90	Lever			020080 01209 0
100	Pin	∅40x177		020080 01206 0
110	Pin	∅40x175		020080 01210 0
120	Spacer Bushing	∅50x4x67		020080 01414 0
130	Spacer Bushing	∅60,3x8x14		020080 01567 0
140	Lever			020080 01399 0
150	Shaft	∅40x285		020080 00690 0
160	Shaft			020080 00692 0
170	Cover			020080 00892 0
180	Shaft			020080 00982 0
190	Washer			020080 00983 0
200	Shaft			020080 01227 0
210	Axle	∅30x80		020080 00815 0
220	Bearing Bracket			020080 00816 0
230	Slider Block	100x70x8		020080 00817 0
240	Axle	∅30x102		020080 01048 0
250	Support Plate			020080 01109 0
260	Holder			020080 01110 0
270	Rubber Pad	308x200x3		17000020
280	Snap Ring	40x1,75		22 0471 40175 1
290	Snap Ring	40x1,75		22 0472 040
300	Shim Ring	40x50x0,5		22 0988 405005
310	Shim Ring	40x50x1		22 0988 405010
320	Shim Ring	40x50x2		22 0988 405020
330	Lubricating Nipple	1/4-28 UNF		23 0400
340	Plug			23000287
350	Yoke Spring	Right		23000328
360	Yoke Spring	Left		23000329
370	Flange Bushing	∅30		24 1728 1
380	Friction Bearing	∅30		24 1732
390	Friction Bearing	∅40		24 1740 5
400	Flange Bushing	∅40		24 1741 1
410	Flange Bushing	∅40		24000023
420	2/2 Directional Control Valve		Section 1.4	26000180
430	Hydraulic Cylinder			26000227

1.1 Scissors



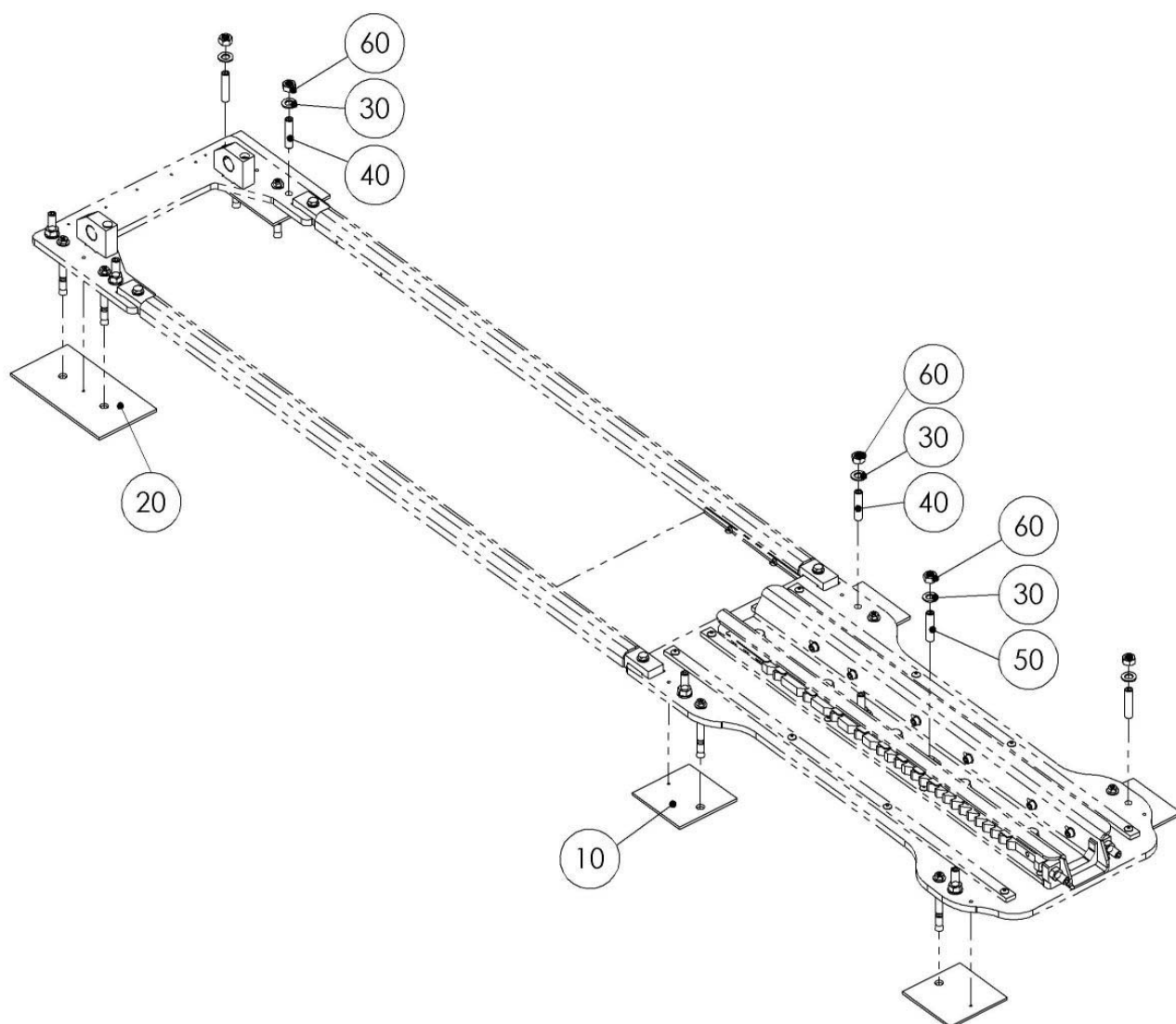
Item No.	Spare Part	Description	Article Number
10	Scissors		030080 00917 0
20	Scissors		030080 01123 0
30	Shaft		020080 00695 0
40	Snap Ring	40x1,75	22 0471 040
50	Shim Ring	40x50x2,5	22 0988 405025
60	Lubricating Nipple		23 0400
70	Flange Bushing		24 1741 1
80	Friction Bearing		24 1742 9
90	Friction Bearing		24000021

1.2 Lock



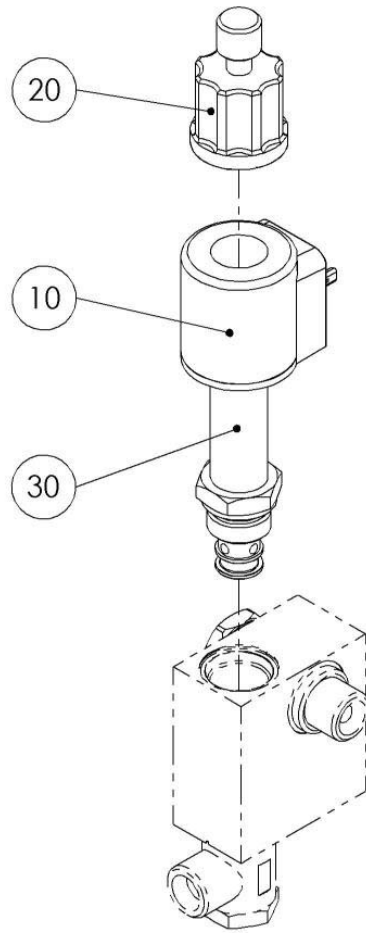
Item No.	Spare Part	Description	Article Number
10	Lock		020080 00668 0
20	Guide		020080 00687 0
30	Displacement Protection		020082 00034 0
40	Binding Head Screw	M8x12	23 3112
50	Plug		23000227
60	Threaded Pin	M6	23000280

1.3 Installation Material



Item No.	Spare Part	Description	Article Number
10	Shim		020080 00738 0
20	Shim	Thrust Bearing	020080 00739 0
30	Washer	A17	22 0125 16 7
40	Threaded Pin	M16x70	22 0913 16070 1
50	Threaded Pin	M16x70	22 0913 16070 7
60	Hex Nut	M16	22 0934 16 7

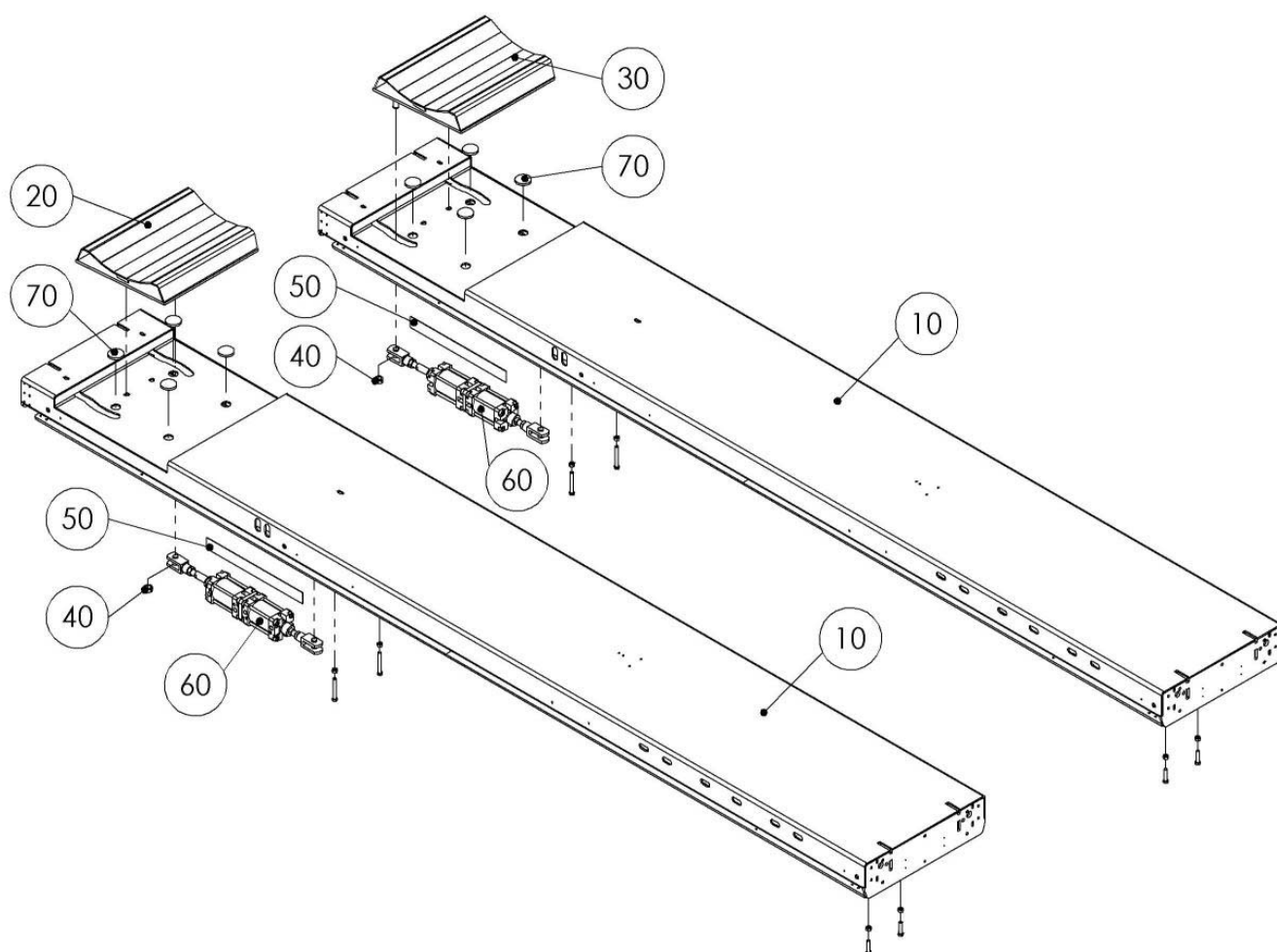
1.4 2/2 Directional Control Valve



Item No.	Spare Part	Description	Article Number
10	Solenoid Coil	24 VDC	26000106
20	Manual Lowering		26000111
30	Seat Valve		26000123

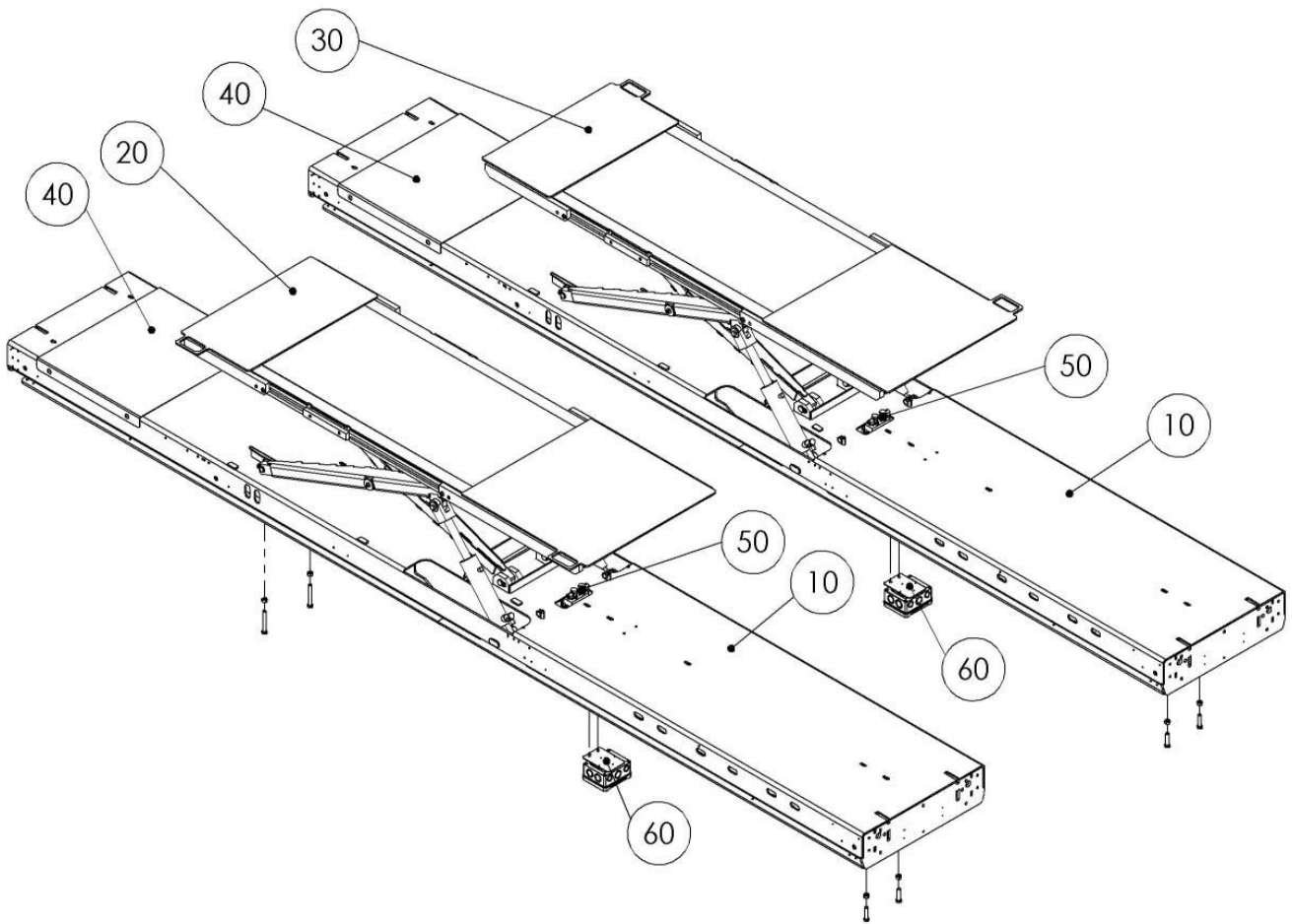
2 Runways

2.1 Runways (Standard and with PMS)



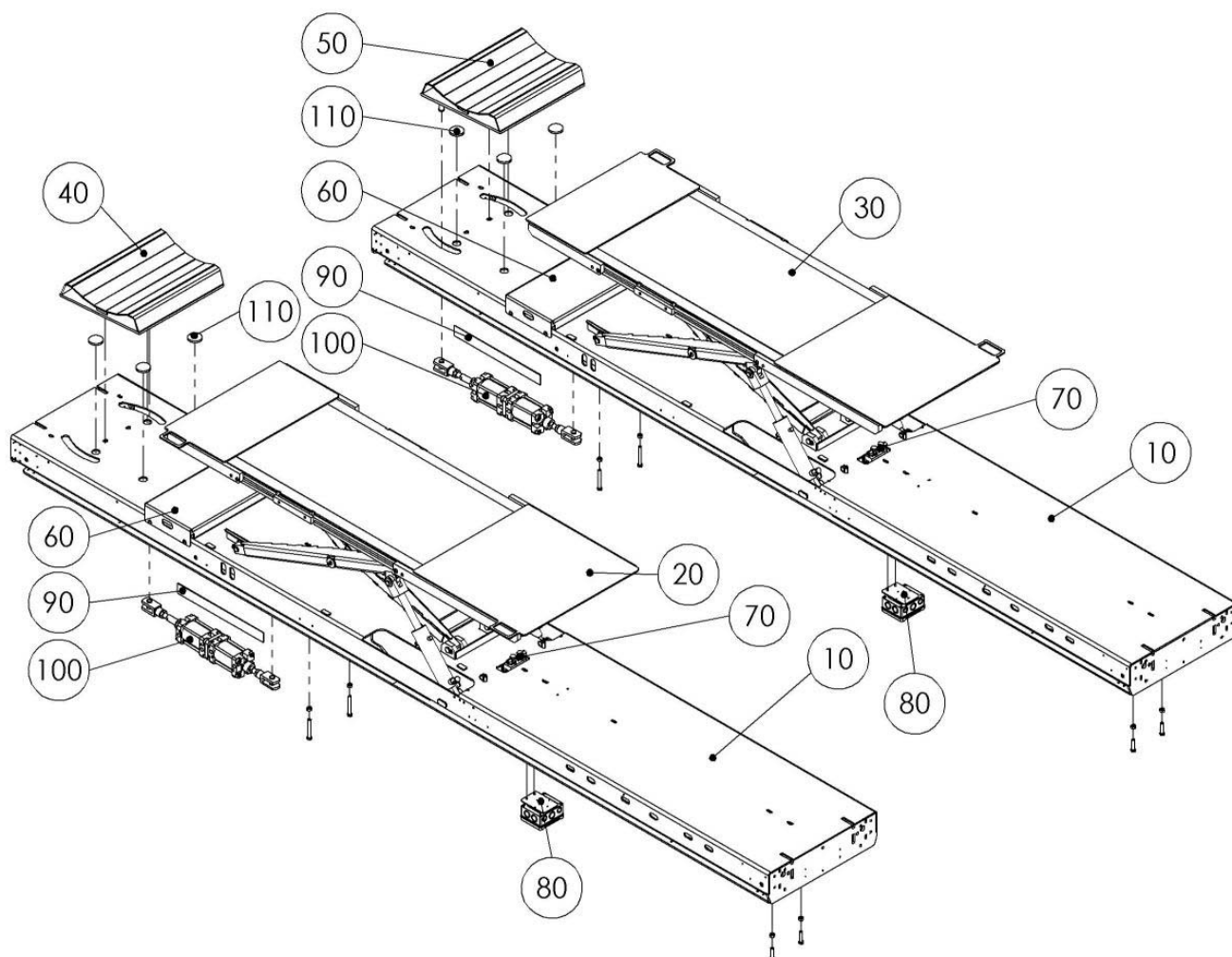
Item No.	Spare Part	Description	Tooltip	Article Number
10	Runway	4,4m without PMS		030080 00878 0
	Runway	4,4m with PMS		030080 01173 0
	Runway	4,8m without PMS		030080 00791 0
	Runway	4,8m with PMS		030080 01179 0
20	Wheel Support	Left	Section 2.5	030540 00627 0
30	Wheel Support	Right	Section 2.5	030540 00628 0
40	Slide	A20		22 0705 20 1
50	Sliding Plate	500x50x2		23000186
60	Pneumatic Cylinder	ø80m, Stroke = 100mm		28000008
70	Plug			31000012

2.2 Runways (with Wheel-Free Jack)



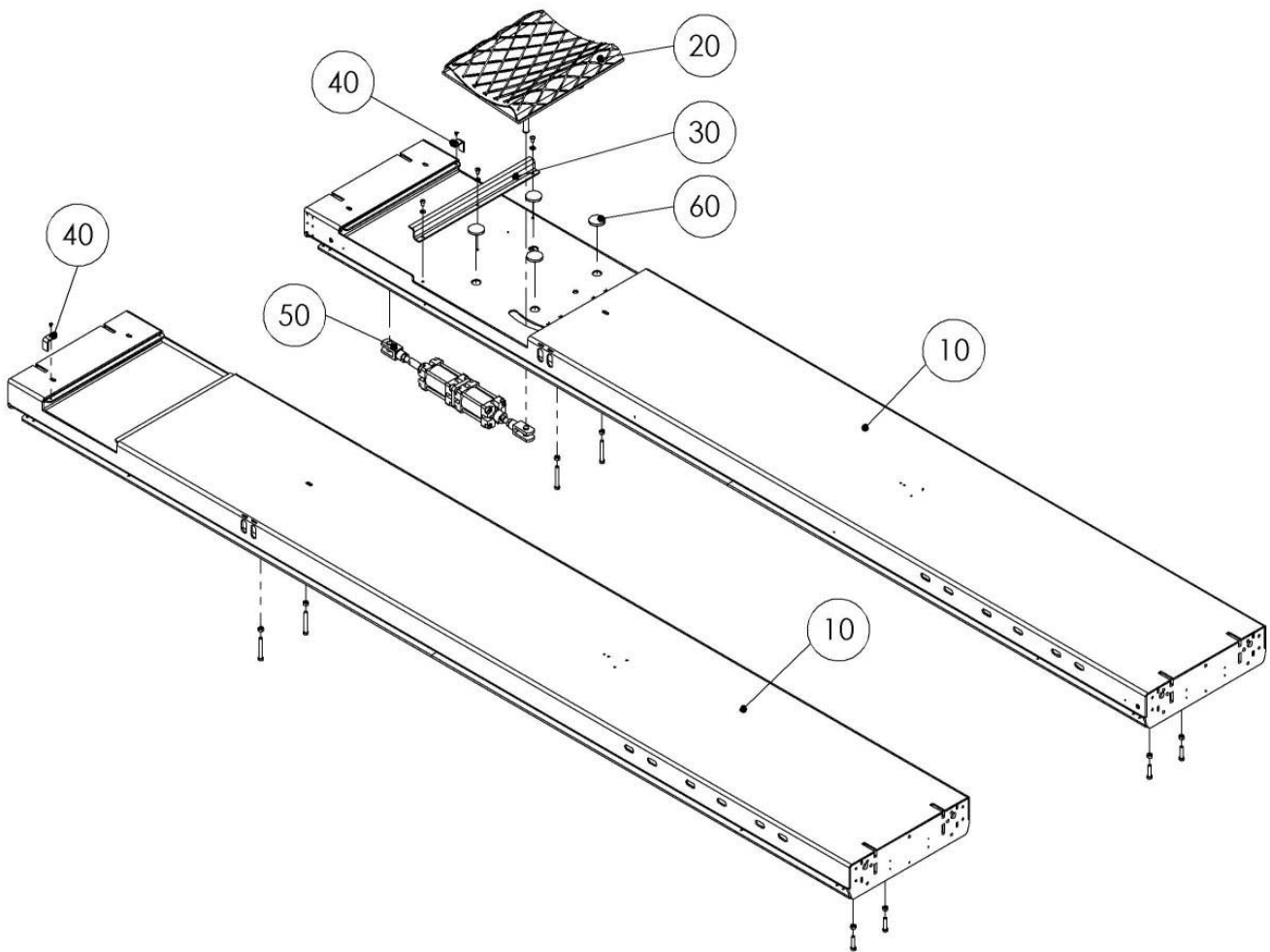
Item No.	Spare Part	Description	Tooltip	Article Number
10	Runway	4,4m		030080 01004 0
	Runway	4,8m		030080 01218 0
20	Wheel-Free Jack	Left	Section 2.6	030080 01005 0
30	Wheel-Free Jack	Right	Section 2.6	030080 01014 0
40	Cover Plate			030080 01083 0
50	Hydraulic System		Section 2.7	030080 01198 0
60	Mounting Parts	f. Branch Box		030080 01208 0

2.3 Runways (with Wheel-Free Jack and PMS)



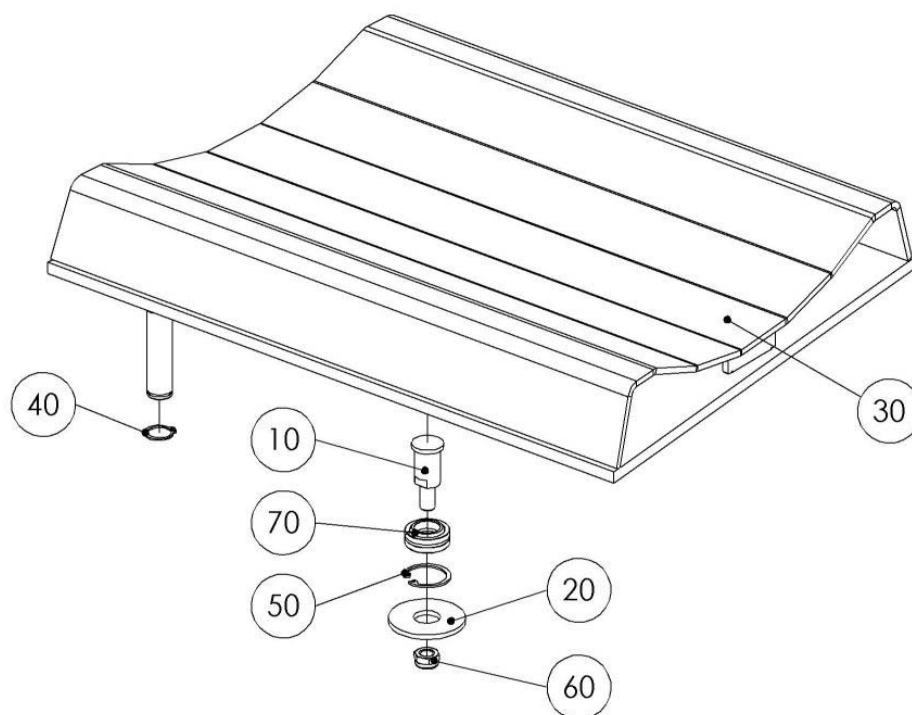
Item No.	Spare Part	Description	Tooltip	Article Number
10	Runway	4,4m		030080 01004 0
	Runway	4,8m		030080 01218 0
20	Wheel-Free Jack	Left	Section 2.6	030080 01005 0
30	Wheel-Free Jack	Right	Section 2.6	030080 01014 0
40	Wheel Support	Left	Section 2.5	030540 00627 0
50	Wheel Support	Right	Section 2.5	030540 00628 0
60	Compensating Plate	280mm	Section 5.1	030080 01042 0
70	Hydraulic System		Section 2.7	030080 01198 0
80	Mounting Parts	f. Branch Box		030080 01208 0
90	Sliding Plate			23000186
100	Pneumatic Cylinder	ø80m, Stroke = 100mm		28000008
110	Plug			31000012

2.4 Runways (ATL)



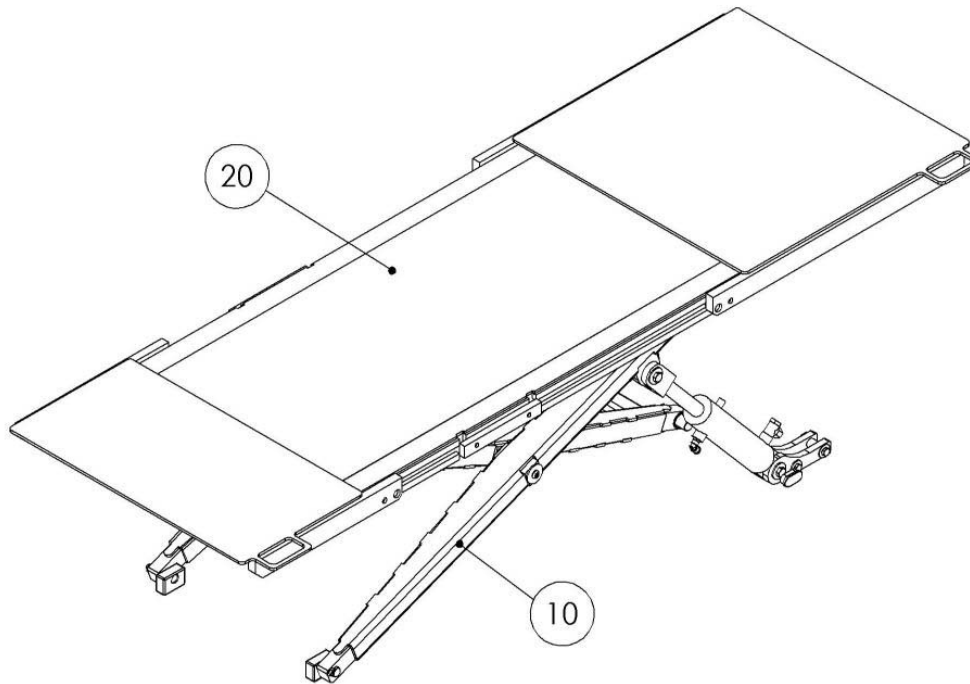
Item No.	Spare Part	Description	Tooltip	Article Number
10	Runway	Left		030080 00605 0
	Runway	Right		030080 00607 0
20	Wheel Support		Section 2.5	030540 00167 0
30	Fixing Angle			020540 00178 0
40	Angle			020540 00186 0
50	Pneumatic Cylinder	ø80m, Stroke = 100mm		28000008
60	Plug			31000012

2.5 Wheel Support



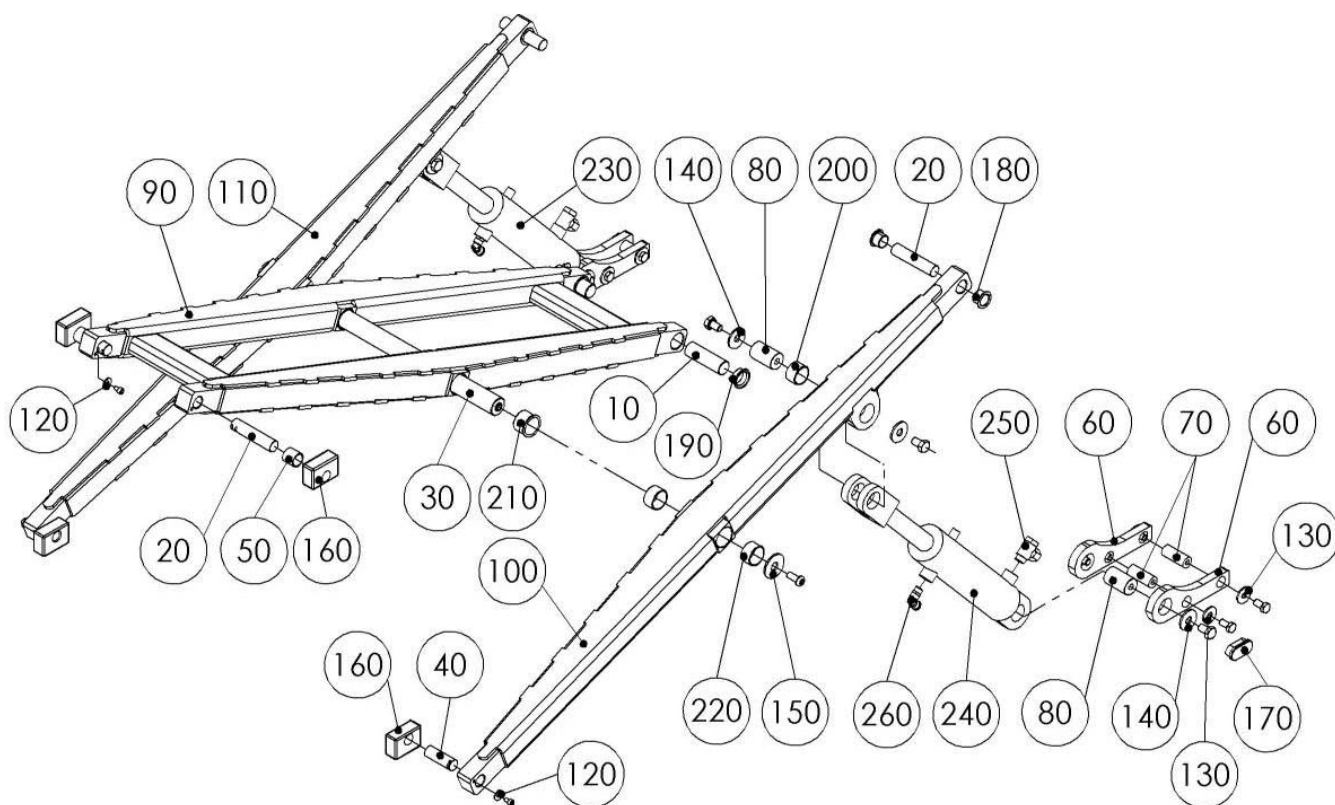
Item No.	Spare Part	Description	Article Number
10	Pin		020010 00037 0
20	Support		020540 00252 0
30	Wheel Support	Left	030540 00626 0
	Wheel Support	Right	030540 00629 0
	Wheel Support	ATL	030540 00168 0
40	Snap Ring	20x1,2	22 0471 020
50	Snap Ring	35x1,5	22 0472 035
60	Hex Nut	M12	22 0985 12 1
70	Swivel Bearing		24 5041

2.6 Wheel-Free Jack



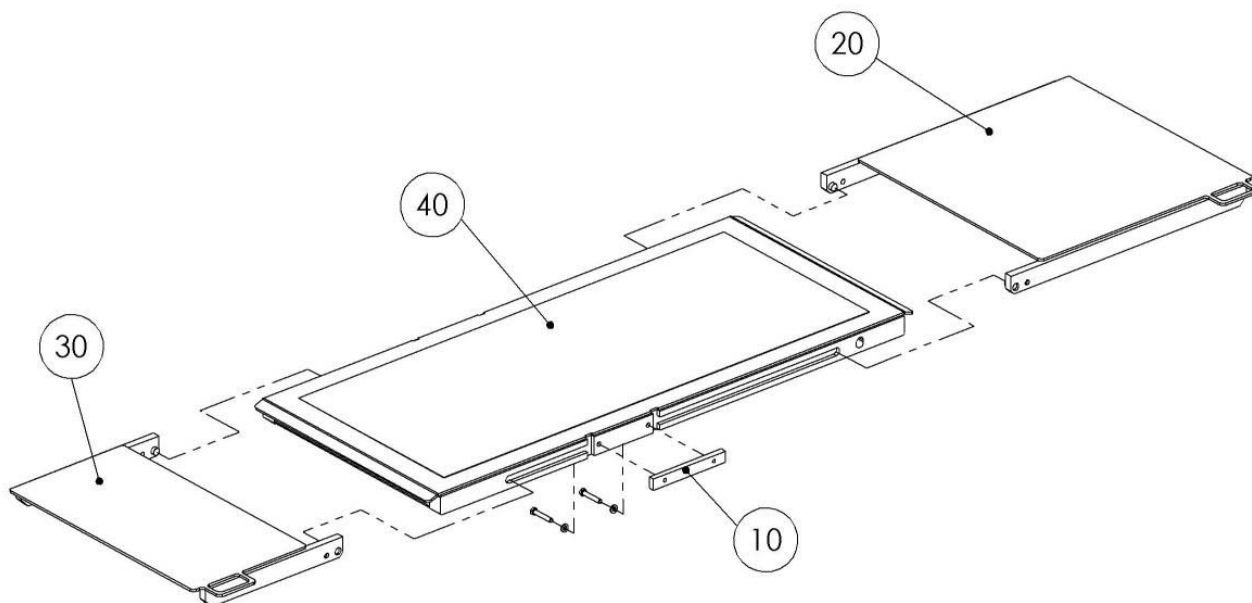
Item No.	Spare Part	Description	Tooltip	Article Number
10	Substructure		Section 2.6.1	030080 00987 0
20	Upper Part	Left	Section 2.6.2	030080 01011 0
	Upper Part	Right	Section 2.6.2	030080 01015 0

2.6.1 Substructure



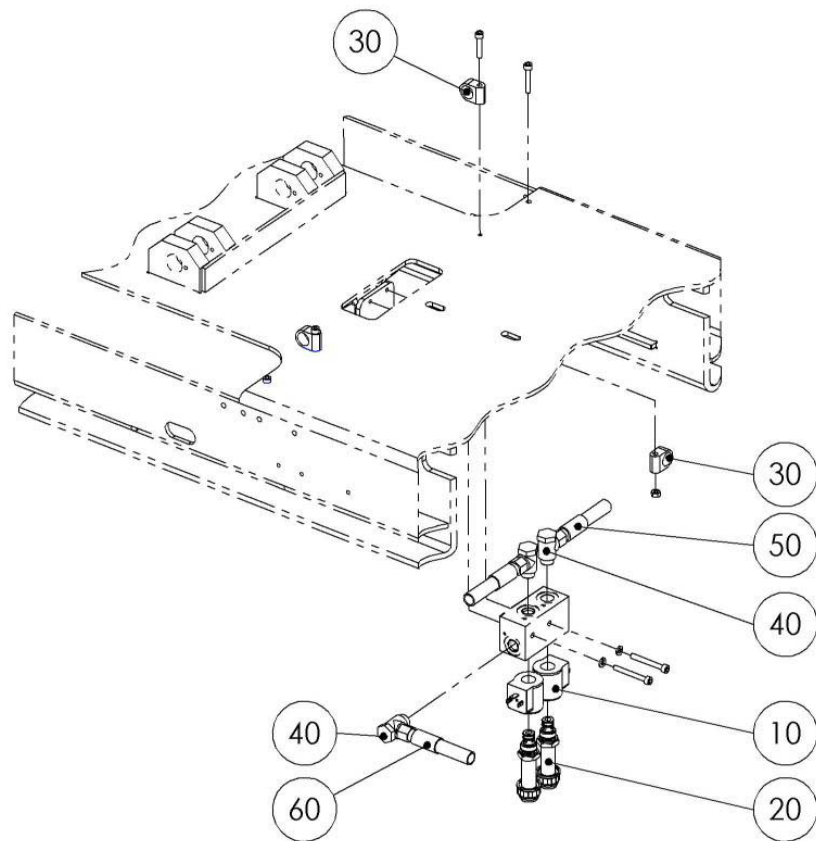
Item No.	Spare Part	Description	Article Number
10	Axle	ø25x80	020080 01262 0
20	Axle	ø20x92	020080 01263 0
30	Axle	ø32x542	020080 01264 0
40	Axle	ø20x58	020080 01266 0
50	Spacer	ø25x2x23	020080 01272 0
60	Holder		020080 01290 0
70	Axle	ø20x50	020080 01293 0
80	Axle Pin	ø30	020540 00348 0
90	Inner Scissors		030080 00990 0
100	Outer Scissors	Left	030080 00991 0
110	Outer Scissors	Right	030080 01010 0
120	Washer	A6,4	22 9021 06 1
130	Washer	A10,5	22 9021 10 1
140	Washer	A13	22 9021 12 1
150	Washer	A15	22 9021 14 1
160	Slider Block		23000200
170	Plug		23000227
180	Flange Bushing	ø20	24 1723 1
190	Flange Bushing	ø25	24 1725 3
200	Friction Bearing	ø30	24 1730 1
210	Friction Bearing	ø32	24 1732 4
220	Friction Bearing	ø32	24 1732 5
230	Hydraulic Cylinder	Right	26000254
240	Hydraulic Cylinder	Left	26000279
250	Screw Connection		27 6742
260	Screwed Angle		28 9120

2.6.2 Upper Part



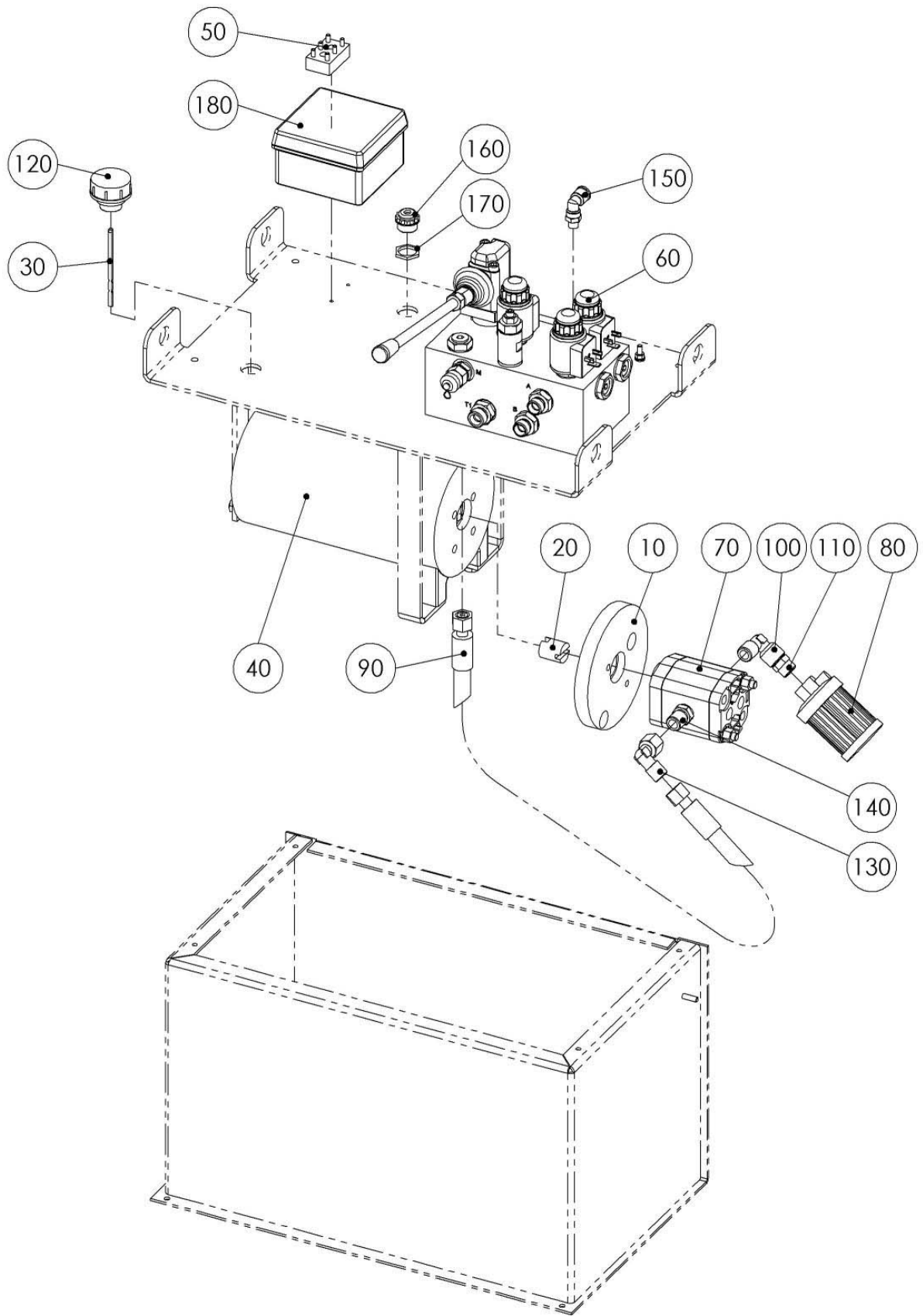
Item No.	Spare Part	Description	Article Number
10	Stop		020080 01252 0
20	Extension	Long, Left	030080 01133 0
	Extension	Long, Right	030080 01146 0
30	Extension	Short, Left	030080 01137 0
	Extension	Short, Right	030080 01148 0
40	Upper Plate		030080 01012 0

2.7 Hydraulic System (for Wheel-Free Jack)



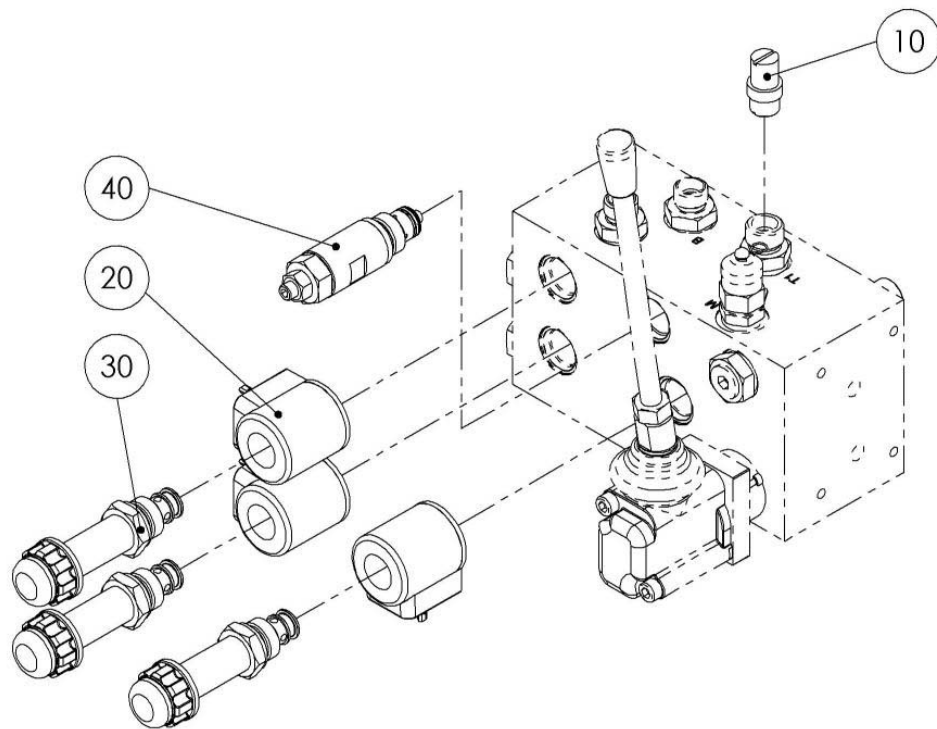
Item No.	Spare Part	Description	Article Number
10	Solenoid Coil		26 10000
20	Seat Valve		26000123
30	Stauff Clamp		27 3650
40	Screw Connection	3/8"	27 6742
50	HP Hose	M16x1,5 750mm lg.	27 0821 075
60	HP Hose	M16x1,5 5900mm lg.	27 0821 590

3 Suboil Power Unit



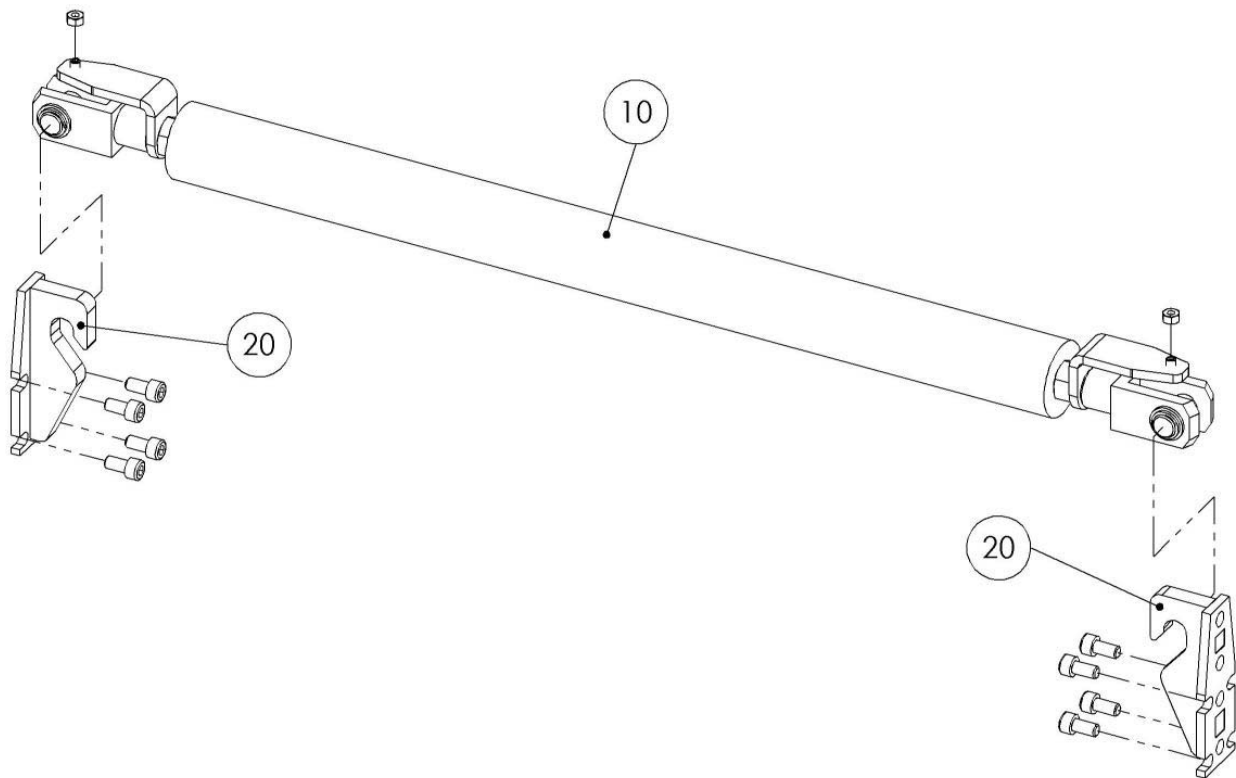
Item No.	Spare Part	Description	Tooltip	Article Number
10	Washer			02 01 6590
20	Cross Coupling			02 01 6595
30	Dipstick			02 05 15585
40	Submerged Motor	5,5kW 2700rpm		20 7331
50	Terminal Board			20 8894
60	Valve Block		Section 3.1	26000144
70	Gear Pump	4,3ccm/r		26 4071
80	Oil Filter	3/8"		26 4090
90	HP Hose			27 1021 032
100	Threaded Elbow Joint	3/8"		27 4652
110	Double Nipple	R 3/8 x 3/8		27 4656
120	Bleeder Plug	M22x1,5		27 4796
130	Screw Connection			27 6635
140	Screw Connection	3/8"		27 6662 2
150	Screwed Angle	1/8"		28 9126
160	Seal Nipple	PG 13		53 2057
170	Hex Nut	PG 13		53 2061
180	Terminal Box			53 2468

3.1 Valve Block



Item No.	Spare Part	Description	Article Number
10	Flow Control Valve		26000073
20	Solenoid Coil	24 VDC	26000106
30	Seat Valve		26000123
40	Pressure Control Valve		26000153

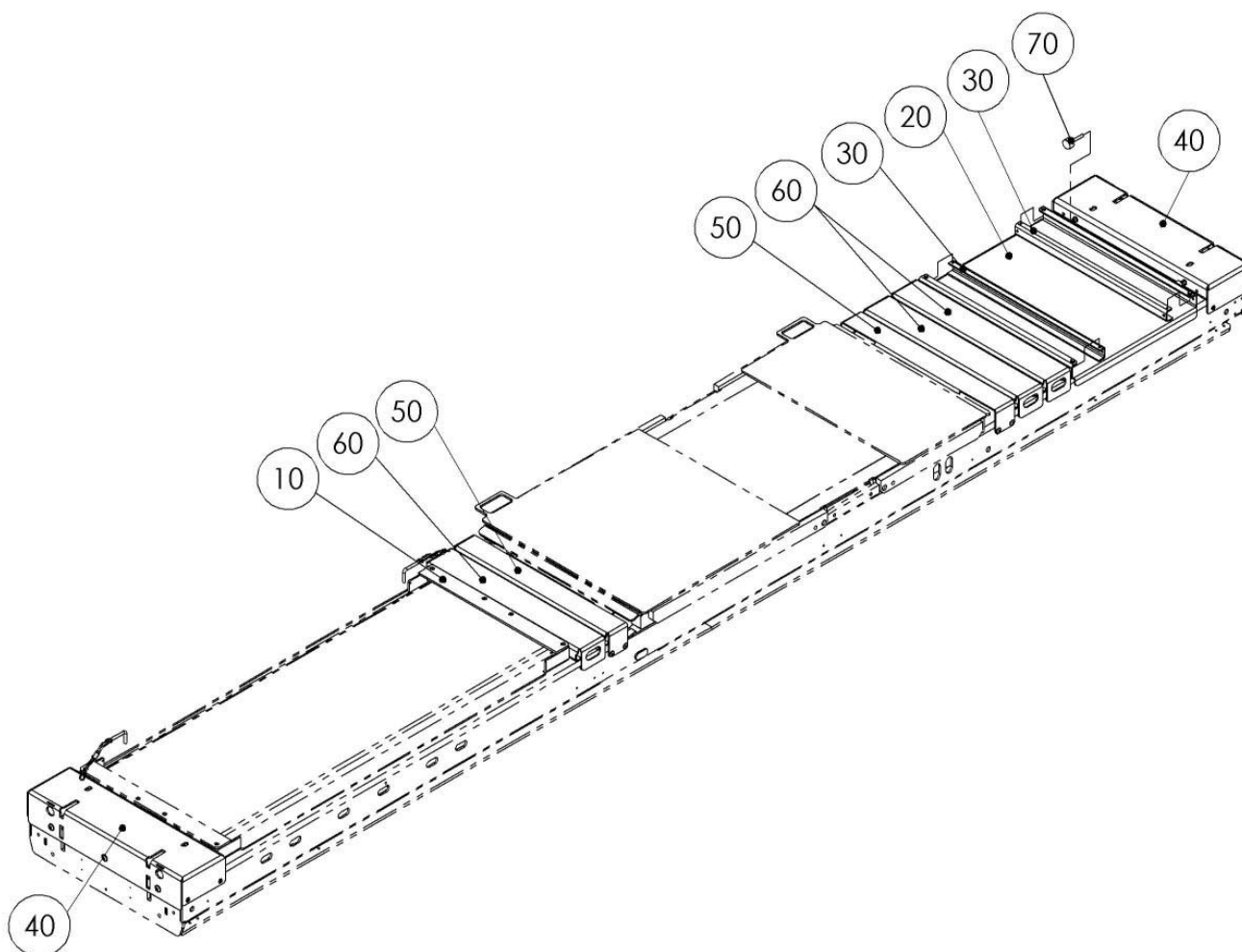
4 Cross Member



Item No.	Spare Part	Description	Article Number
	Cross Member, Assy.	without Compensating Plates; 850mm	03 08 22451
	Cross Member, Assy.	with Compensating Plates; 850mm	03 08 22461
	Cross Member, Assy.	without Compensating Plates; 950mm	03 08 22471
	Cross Member, Assy.	with Compensating Plates; 950mm	03 08 22481
10	Cross Member	850mm	03 08 22251
	Cross Member	950mm	03 08 22261
20	Guide	without Compensating Plates	03 08 22221
	Guide	with Compensating Plates	03 08 22231









5 Accessories

5.1 Compensating Plates



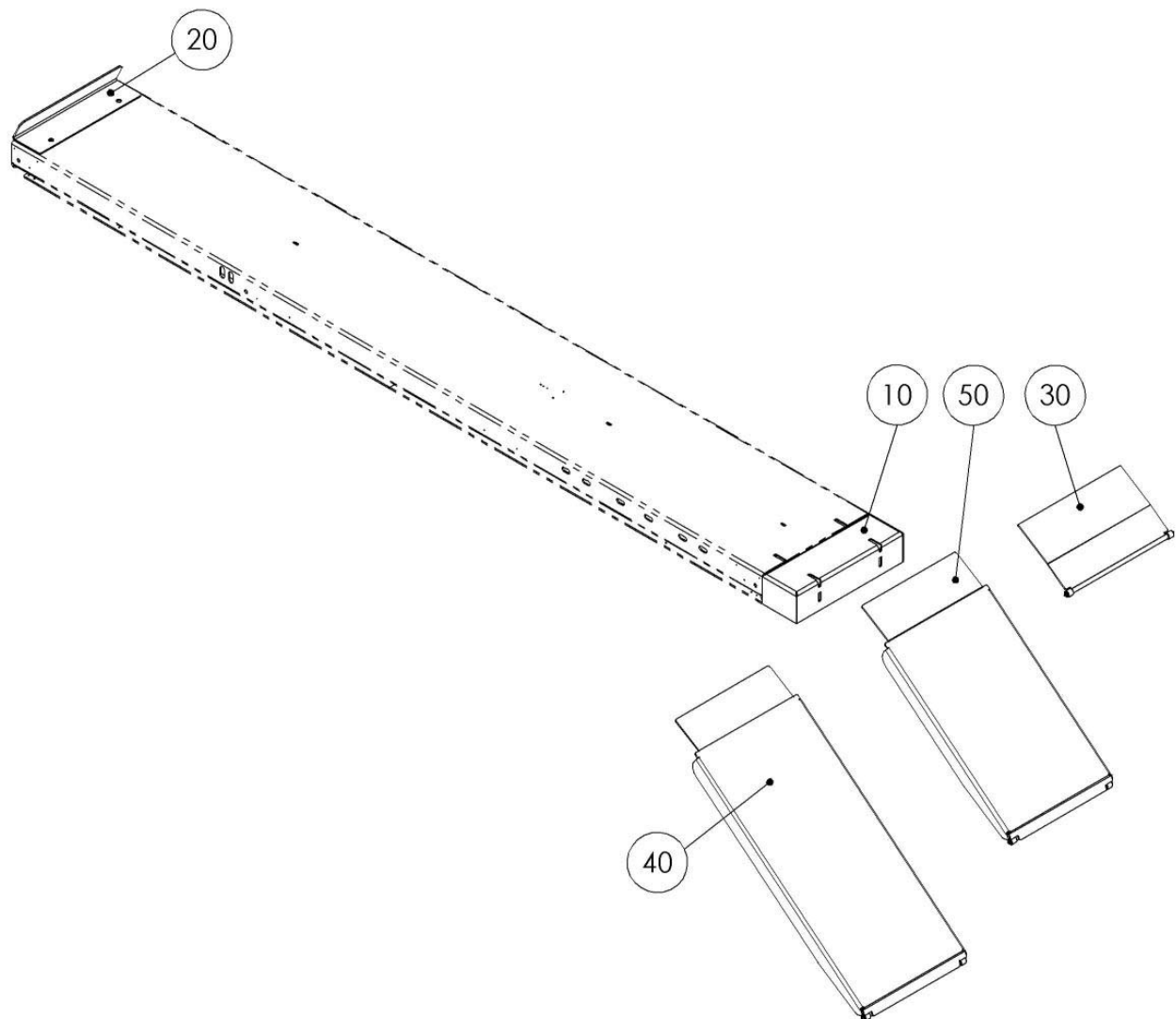
Item No.	Spare Part	Description	Tooltip	Article Number
10	Adapter Plate			02 08 81800
20	Support Plate			030540 00365 0
30	Section Steel			020540 00606 0
40	Ramp Holder			030080 00883 0
50	Connecting Plate			030080 01093 0
60	Compensating Plates		Section 5.1.1	
70	Rubber Buffer	ø25x15		17 1048

5.1.1 Compensating Plates

Item No.	Thumbnail	Spare Part	Description	Article Number
10		Compensating Plate	100mm	030540 00372 0
20		Compensating Plate	115mm	030540 00445 0
30		Compensating Plate	150mm	030540 00428 0
40		Compensating Plate	280mm	030080 01042 0
50		Compensating Plate	375mm	030540 00374 0
60		Compensating Plate	400mm	030540 00379 0
70		Compensating Plate	475mm	030540 00565 0
80		Compensating Plate	500mm	030540 00363 0

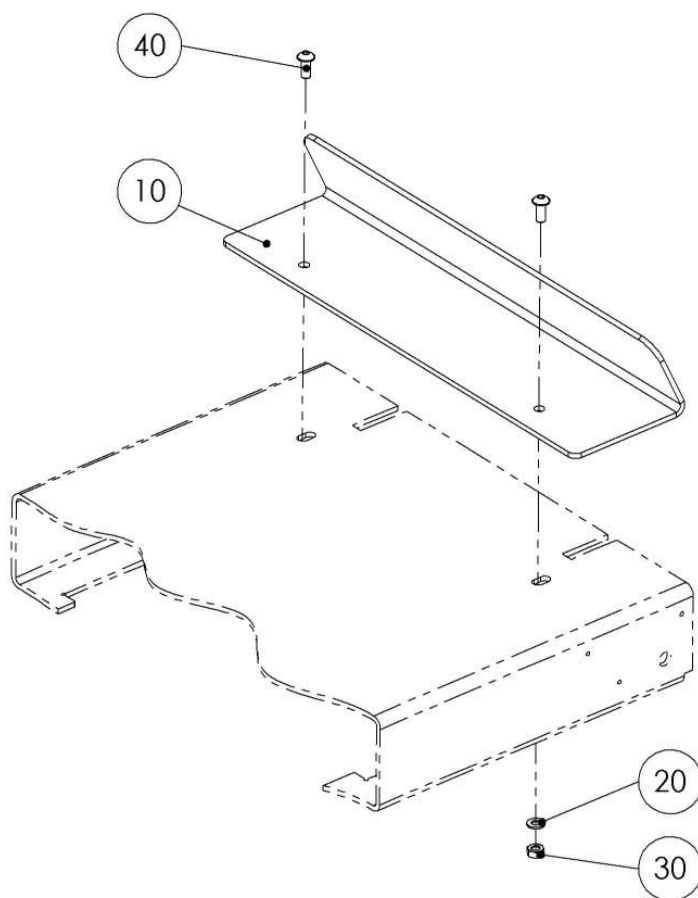
Item No.	Thumbnail	Spare Part	Description	Article Number
90		Compensating Plate	950mm	030540 00367 0
100		Compensating Plate	1030mm	030540 00653 0

5.2 Runway Accessories



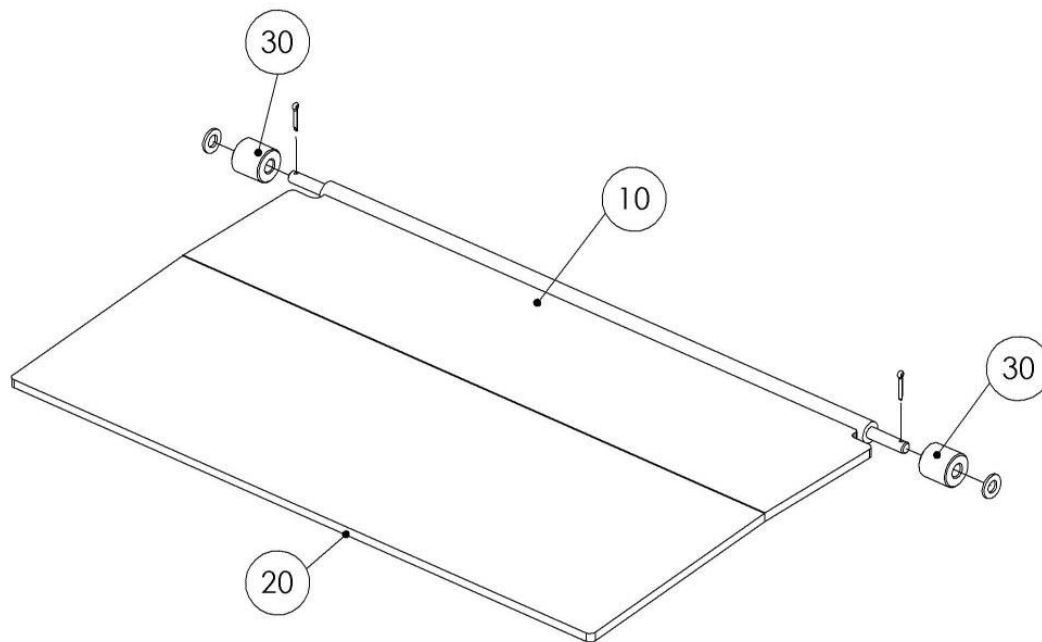
Item No.	Spare Part	Description	Tooltip	Article Number
10	Runway Extension	ATL		030080 00612 0
20	Roll-off Protection	Surface Mounted	Section 5.2.1	030080 01089 0
30	Approach Flap	In-Ground	Section 5.2.2	030080 01092 0
40	Approach Ramp	1300mm	Section 5.2.3	030080 00435 0
50	Approach Ramp	1175mm	Section 5.2.4	030080 00611 0

5.2.1 Roll-off Protection



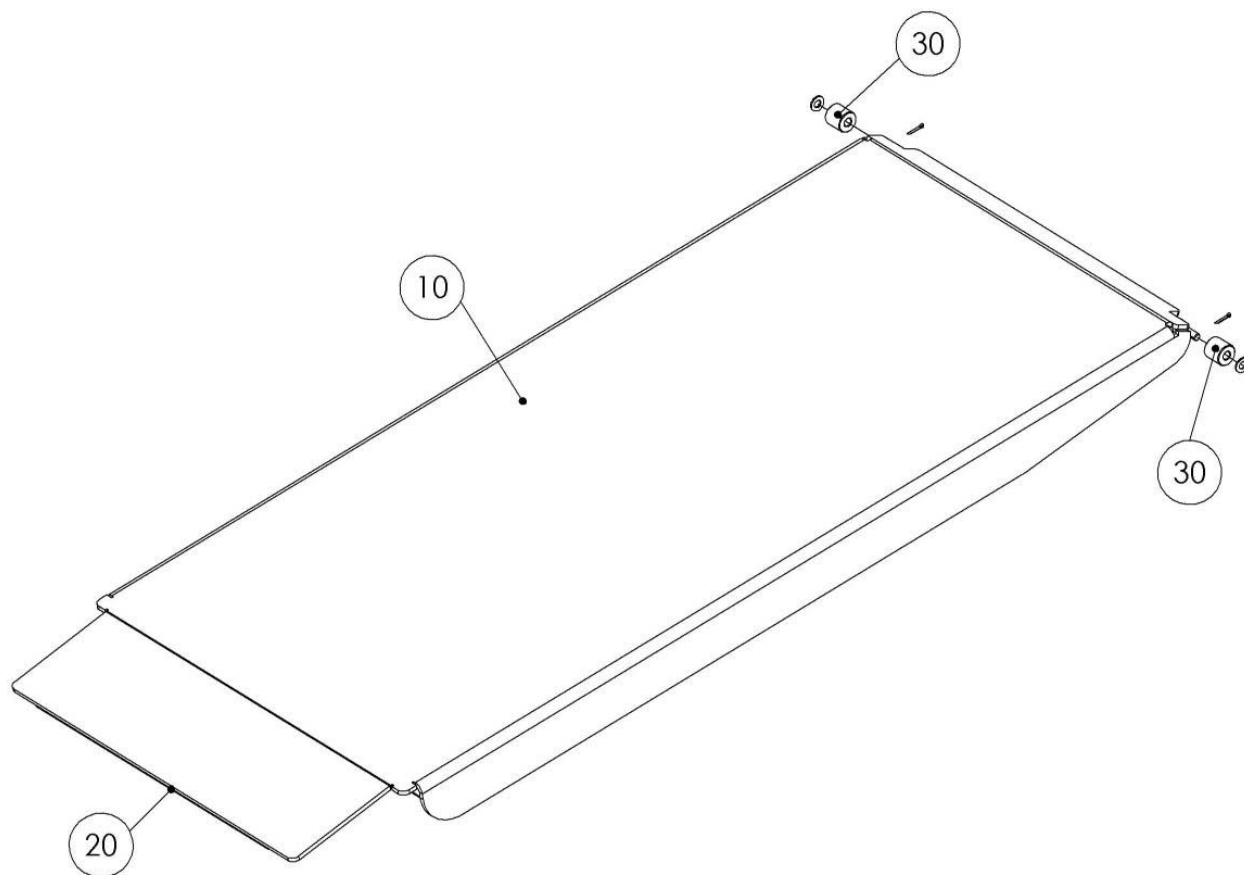
Item No.	Spare Part	Description	Article Number
10	Roll-off Protection		020082 00737 0
20	Washer	A10,5	22 0125 10 1
30	Hex Nut	M10	22 0934 10 1
40	Oval Head Screw	M10x25	22 7381 10025 1

5.2.2 Roll-off Protection



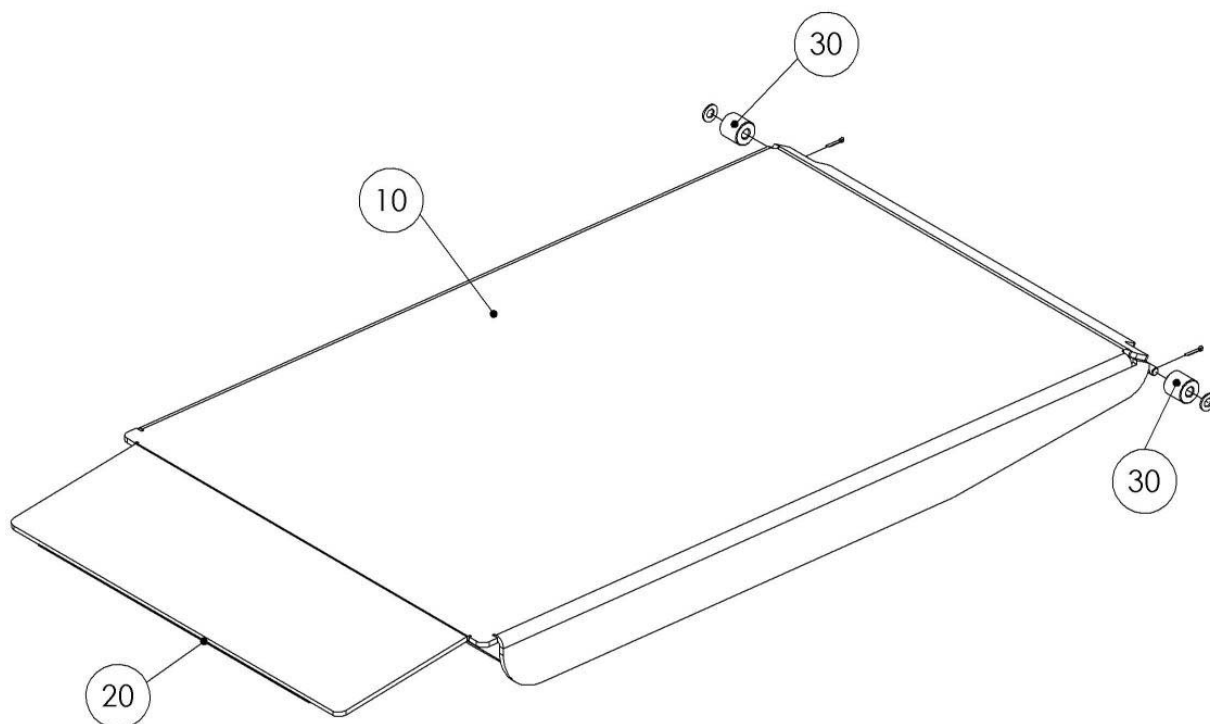
Item No.	Spare Part	Description	Article Number
10	Approach Flap		030080 01091 0
20	Rubber Pad	590x40x3	17 2064 2
30	Spacer Sleeve	ø28	31 5156

5.2.3 Approach Ramp, 1300mm



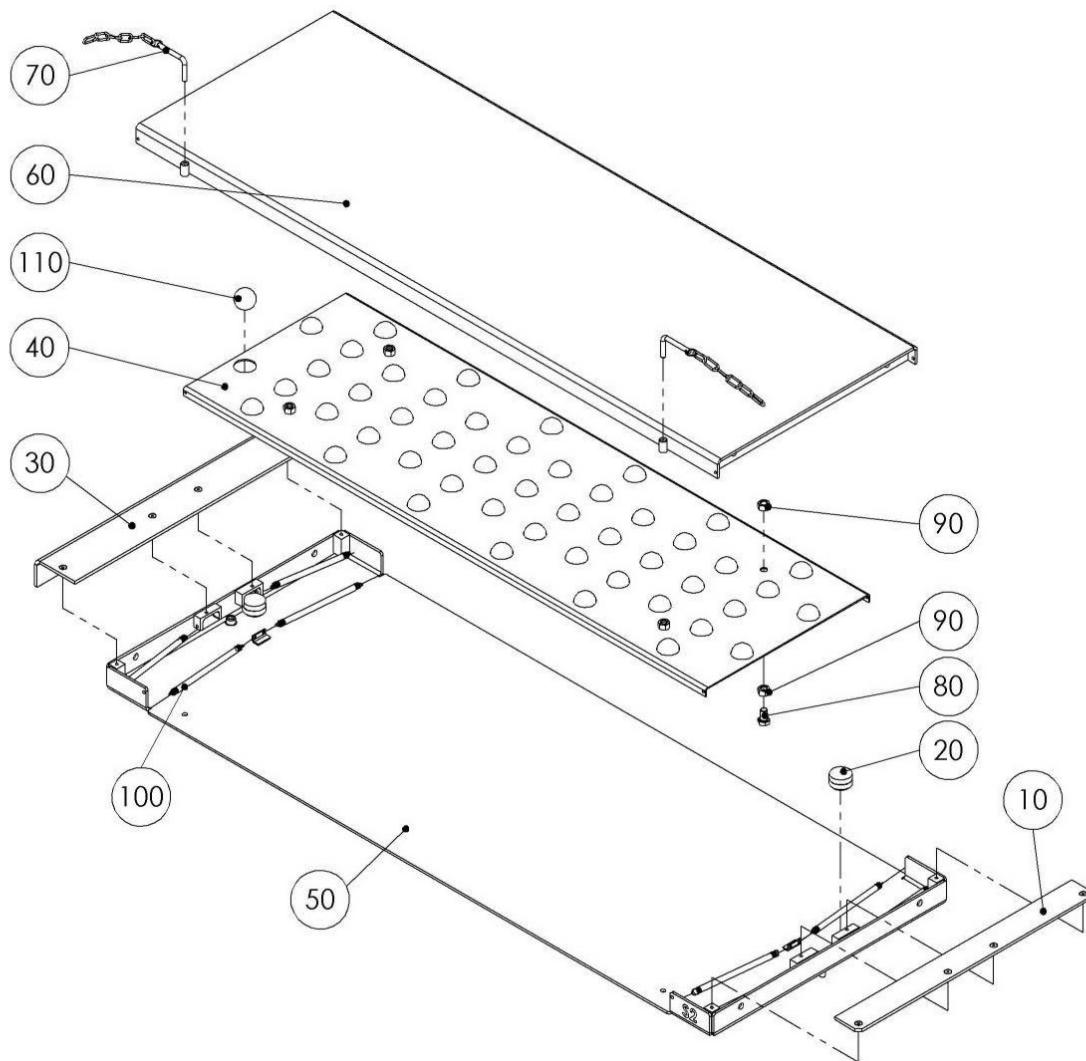
Item No.	Spare Part	Description	Article Number
10	Approach Ramp		030080 00434 0
20	Rubber Pad	450x35x2	17 2054 04
30	Spacer Sleeve	ø28	31 5156

5.2.4 Approach Ramp, 1175mm



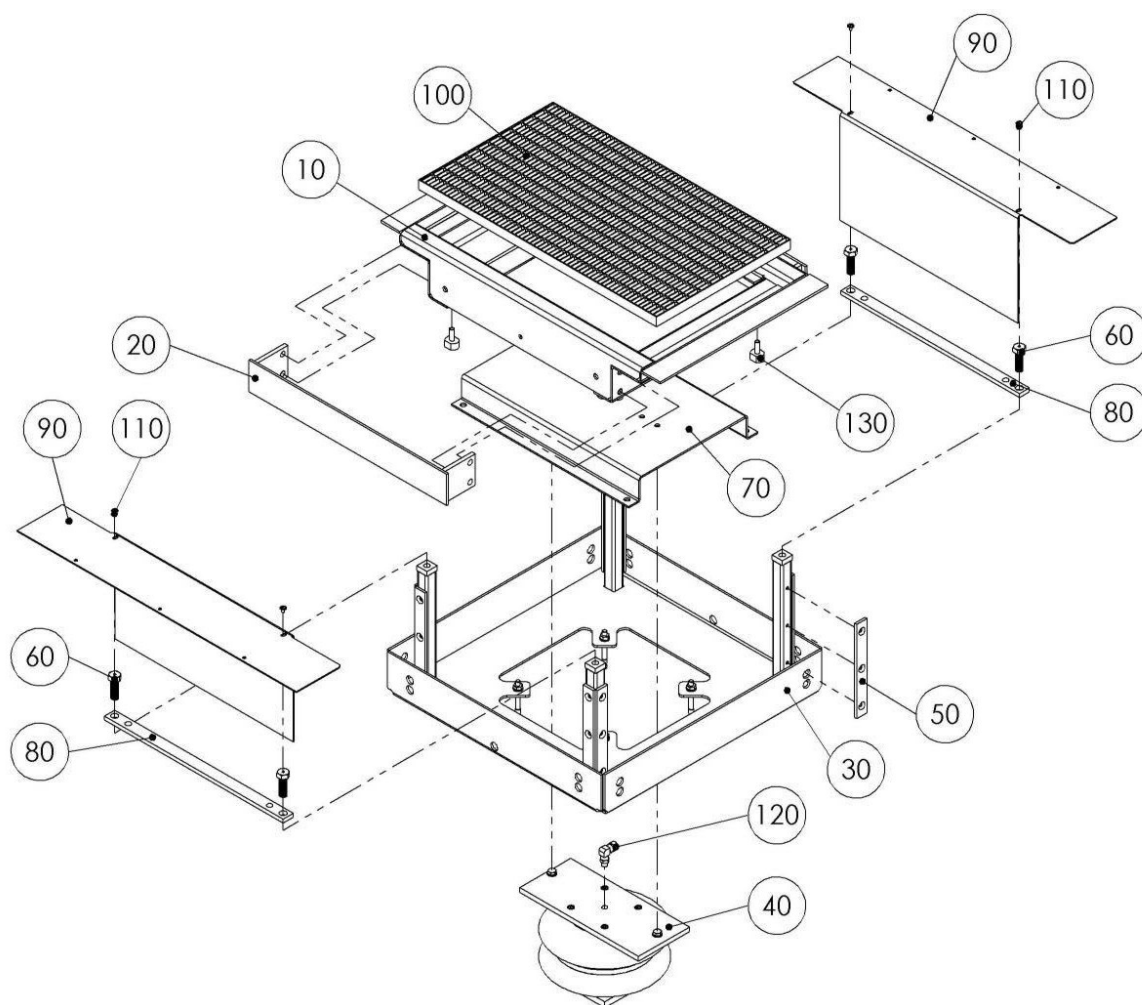
Item No.	Spare Part	Description	Article Number
10	Approach Ramp		030080 00610 0
20	Rubber Pad	450x35x2	17 2054 04
30	Spacer Sleeve	ø28	31 5156

5.3 Slide Plate



Item No.	Spare Part	Description	Article Number
10	Adapter Plate	Short	02 08 81800
20	Roller		02 08 81027
30	Adapter Plate	Long	02 08 81807
40	Ball Cage		02 08 81105
50	Lower Part		03 08 81007
60	Upper Part		03 08 81205
70	Lock		03 08 81010
80	Hex Head Screw	M12x20	22 0933 12020 K
90	Hex Nut	M12	22 0934 12 K
100	Tension Spring		23 9110 010 110
110	Phenolic Resin Ball		31 7038


5.4 Floor Cover



Item No.	Spare Part	Description	Tooltip	Article Number
	Pneumatic Components		Section 5.4.1	
10	Base Frame			03 08 84255
20	Guide			03 08 84350
30	Travel Stop			03 08 84410
40	Air Bellows			03 08 86030
50	Guide			02 08 86005
60	Adjusting Screw			02 08 86010
70	Support Plate			02 08 84570
80	Stop			02 08 84590
90	Cover Plate			02 08 84582
100	Grating	700x395x25		14 6075 1
110	Binding Head Screw	M6x10		23 3078
120	Screwed Angle			28 9210
130	Dowel Pin			31 6203

5.4.1 Pneumatic Components



Item No.	Thumbnail	Spare Part	Description	Article Number
10		Double Threaded Nipple	1/4"x60mm	27 4805
20		Solenoid Valve		28 5000
30		Pressure Control Valve	G 3/8	28 5506
40		Rapid Bleeder Valve	1/4"	28 5800
50		Reducing Nipple	3/8"-1/4"	28 8070 0603
60		Silencer	1/4"	28 8165 0400 1
70		Straight Fitting	3/8"	28 9106
80		T-Piece		28 9131

Item No.	Thumbnail	Spare Part	Description	Article Number
90		Threaded Elbow Joint	1/4"	28 9210

5.5 Hydraulic / Pneumatic System

Item No.	Thumbnail	Spare Part	Description	Article Number
10		Flow Regulator		26000050
20		HP Hose	1000mm lg.	27 0821 100
30		HP Hose	2000mm lg.	27 0821 200
40		HP Hose	3000mm lg.	27 0821 300
50		HP Hose	3500mm lg.	27 0821 350
60		HP Hose	4000mm lg.	27 0821 400
70		HP Hose	5000mm lg.	27 0821 500
80		HP Hose	5500mm lg.	27 0821 550




Item No.	Thumbnail	Spare Part	Description	Article Number
90		HP Hose	1500mm lg.	27 0822 150
100		Screw Connection		27 6637
110		Blind Nut		27 6796
120		Bulkhead Connection	3/8"-1/4"	28 8071 0603
130		Quick Coupler	A 1/4"	28 8092 0406
140		Straight Fitting		28 9100
150		Y-Connector	8mm -> 2x8mm	28 9110
160		Threaded Elbow Joint	1/4"	28 9120

Item No.	Thumbnail	Spare Part	Description	Article Number
170		Y-Connector	8mm -> 2x6mm	28000025
180		Directional Control Valve		28000026









6 Electrical Equipment

Item No.	Thumbnail	Spare Part	Description	Article Number
10		Spacer Bushing	3,5mm lg.	23000371
20		Limit Switch		51 0317
30		Pit Lamp	Lumolux 28W	51 0370
40		Power Supply	60W 24VDC	51 0374
50		LED Lamp	24VDC	51 0375
60		Push Rod	14,5x3mm, round	51 0623
70		Membrane Keyboard	97x130	51 1145
80		Tension Spring Clip	4,0 ST4,0	51 5020

Item No.	Thumbnail	Spare Part	Description	Article Number
90		Tension Spring Clip	4,0 PE	51 5027
100		Clamp	10/SI U 5x20	51 5050
110		Antenna	f. Preamplifier	52 0521
120		Printed Circuit Board	Radio Pcb MAH-CAN-RPF	52 0546
130		Printed Circuit Board	MAH HT08	52 0558
140		Printed Circuit Board	Output Pcb x8	58 2781
150		Solenoid Valve Connector	with Seal, w/o Cable	53 0350
160		Solenoid Valve Connector	with Cable Type A	53 2165








Item No.	Thumbnail	Spare Part	Description	Article Number
170		Adapter Piece	SMA/BNC 90	53 0375
180		Connecting Piece	angulated	53 0426
190		Branch Box	85x85x37mm	53 2035
200		Branch Box	59x76x33mm	53 2470
210		Fuse	T 10 A	53 3066
220		Terminal Strip	2-pin	53 3302
230		Terminal Strip	3-pin	53 3303
240		Terminal Strip	2-pin	53 3372





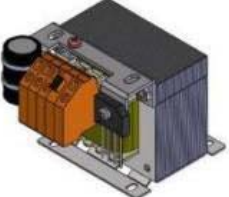
Item No.	Thumbnail	Spare Part	Description	Article Number
250		Terminal Strip	5-pin	53 3375
260		Terminal Strip	6-pin	53 3376
270		Terminal Strip	8-pin	53 3378
280		Terminal Strip	12-pin	53 3380
290		EMV Rail	500lg.	53 5953
300		Label	Safety Regulations	54 1494
310		Label	f. Main Switch	54 2132
320		Label	f. Dial	54 2219

Item No.	Thumbnail	Spare Part	Description	Article Number
330		Label	Solenoid Valve	54 4132
340		Label	Solenoid Valve	54 4133
350		Label		54 5017
360		Label		54 5018
370		Label		54 5019
380		Label		54 5020
390		Connecting Cable		61 DUO9 HFKA
400		New Radio Hand Lamp		67 FUHA

6.1 Switch Plate

Item No.	Thumbnail	Spare Part	Description	Article Number
10		Main Contactor	5.5kW 24VDC	50 0198
20		Main Switch	4-pin 25A	50 1002
30		Tension Spring Clip	4,0 ST4,0	51 5020
40		Tension Spring Clip	4,0 PV	51 5026
50		Tension Spring Clip	4,0 PE	51 5027
60		Clamp	10/SI U 5x20	51 5050
70		Cover	ST4	51 5064
80		Cover	STTB 4 PV	51 5067

Item No.	Thumbnail	Spare Part	Description	Article Number
90		Bridge	2-pin ST4	51 5077
100		Bridge	3-pin ST4	51 5082
110		Dongle	4 MB	52 0541
120		Printed Circuit Board	MAH HS0812	52 0557
130		Limit Holder	TS 35	53 3047
140		Fuse	T 3,15 A	53 3065
150		Terminal Strip	2-pin	53 3302
160		Terminal Strip	24-pin	53 3332

Item No.	Thumbnail	Spare Part	Description	Article Number
170		Terminal Strip	4-pin	53 3374
180		Terminal Strip	6-pin	53 3376
190		Terminal Strip	8-pin	53 3378
200		Label	1-24	54 2082
210		Power Supply	230V, 24VDC 5,0A 120W	56 0081

6.2 Branch Box

Item No.	Thumbnail	Spare Part	Description	Article Number
10		Tension Spring Clip	4,0 ST4,0	51 5020
20		Tension Spring Clip	4,0 PE	51 5027
30		Tension Spring Clip	4,0 PE	51 5029
40		Cover	ST4	51 5064
50		Cover	STTB 4 PV	51 5067
60		Bridge	2-pin ST4	51 5077
70		Branch Box		53 2039
80		Screwed Cable Joint	M20x1,5 4-9mm	53 2753

Item No.	Thumbnail	Spare Part	Description	Article Number
90		Screwed Cable Joint	M20 9-14,0	53 2755
100		Plastic Nut	M20x1,5	53 2782
110		Plastic Nut	M25x1,5	53 2783
120		Plastic Nut	M32x1,5	53 2784
130		Screwed Cable Joint	M25 2x8mm	53 2791
140		Screwed Cable Joint	M25 3x6mm	53 2792
150		Screwed Cable Joint	M32 4x6mm	53 2793
160		Limit Holder	TS 35	53 3047

7 Anchors

* **NOTICE:** 23000256 to be used only with compensating plates!

TWIN	×																		
TRUCKLIFT											×	×							
SOLO III 2.5 M		×																	
SERVICELIFT	×																		
HL III 4.0											×	×							
HL 4.0								×	×										
HL 10000				×	×	×	×												
HL 9000 A				×	×	×	×												
ECONLIFT				×	×	×	×												
ECON III 5.0											×	×							
ECON III 4.0											×	×							×
ECON III 3.5												×	×	×	×	×	×	×	×
ECON III 3.0												×	×	×	×	×	×	×	×
ECON II												×	×	×	×	×	×	×	×
DUO / MSL	×																		
CARLIFT			×																
Article number (Unit: 1 Piece)	23 5050	23 5120	23 5165	23 6016	23 6017	23 6018 001	23 6019	23 6080	23 6090	23000240	23000241	23000242	23000255	23000256 *					
	Heavy Duty Anchor M10x150mm	Anchor Bolt M10x124mm	Express Anchor M10x165mm	Mortar Capsule M16	Anchor Bolt M16x165mm	Anchor Bolt M16x190mm	Anchor Bolt M16x250mm	Anchor Capsule M20	Anchor Bolt M20x220mm	Anchor Bolt M20x230mm	Cartridge (150ml) and Mixer	Anchor Bolt M16x200mm	Anchor Bolt M16x250mm	Anchor Bolt M12x145mm					
	